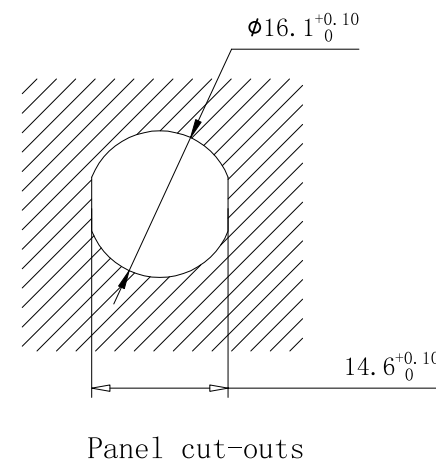
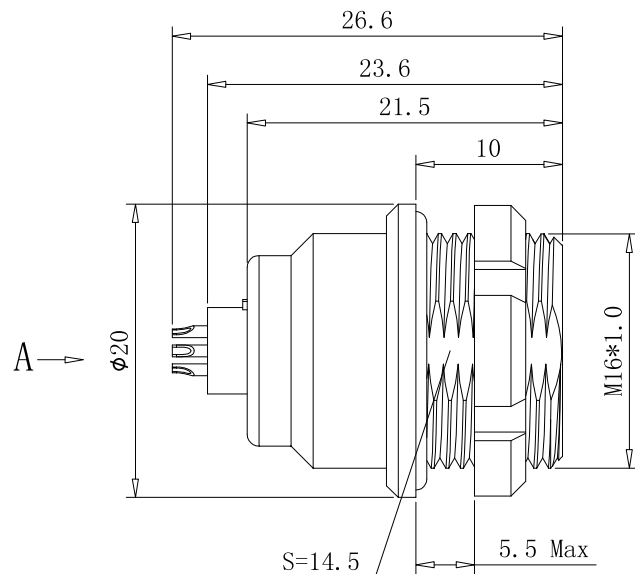
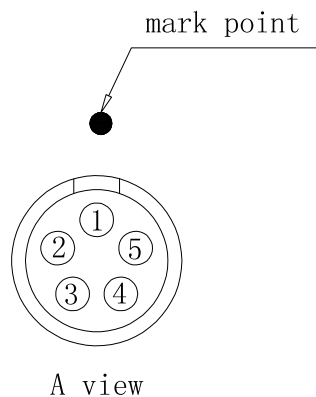


REV.	ECN. NO.	APPD.
A	WL-21-006	Jerry zhang



Product main performance:  
 Operating Temperature: -55°C~125°C  
 Humidity(max): <=95% [at 60 deg C/ 140 F]  
 Shielding: 75dB(10MHz) 40dB(1GHz);  
 Salt Spray Corrosion: 96hr

Electrical data:  
 Vtest: 1250v AC(contact-contact)  
 working voltage:415V AC,  
 Insulation resistance:≥5000M Ω  
 Rated Current: 9A  
 R (max): 6mΩ

Mechanical data:  
 Vibration: 15g[10Hz~2000Hz]  
 Shock Resistance: 100g[6ms]  
 Endurance (Shell): 5000

Other Specification:  
 Contact Dia.: 0.5mm  
 Contact Material: gold plated Phosphor bronze.  
 Contact Type: Solder male  
 Housing Material: chrome plated brass  
 nut、screw: nickel plated brass  
 Other metal spare parts : nickel plated brass  
 Insulator material: PPS  
 IP Rating: IP68  
 \*ALL MATERIALS ARE RoHS COMPLIANT

IDEAS GENERATED DRAWING. DON'T CHANGE BY HAND.

x.±	x.±	UNITS	mm	NAME(INTENDED USE)	
.x± 0.8	.x±	MAT'L		1K 5-pin Panel Mount Soldering Type Straight Socket	
.xx± 0.50	.xx±	SEE NOTES		PART NO.(INTENDED USE)	CLASS: <input type="checkbox"/> CONFIDENTIAL <input type="checkbox"/> SECRET <input checked="" type="checkbox"/> GENERAL
.xxx±	.xxx±	FINISH		WLES13-7302	TITLE: CONN DRAWING
		Q'TY		APPD: Yuan. wu 03/14'21	DWG NO.: WLES13-7302-0121
				CHKD: Lei. wang 03/15'21	
				DRAW: Min. sun 03/16'21	
					SCALE SHEET REV. N/A 1/1 A