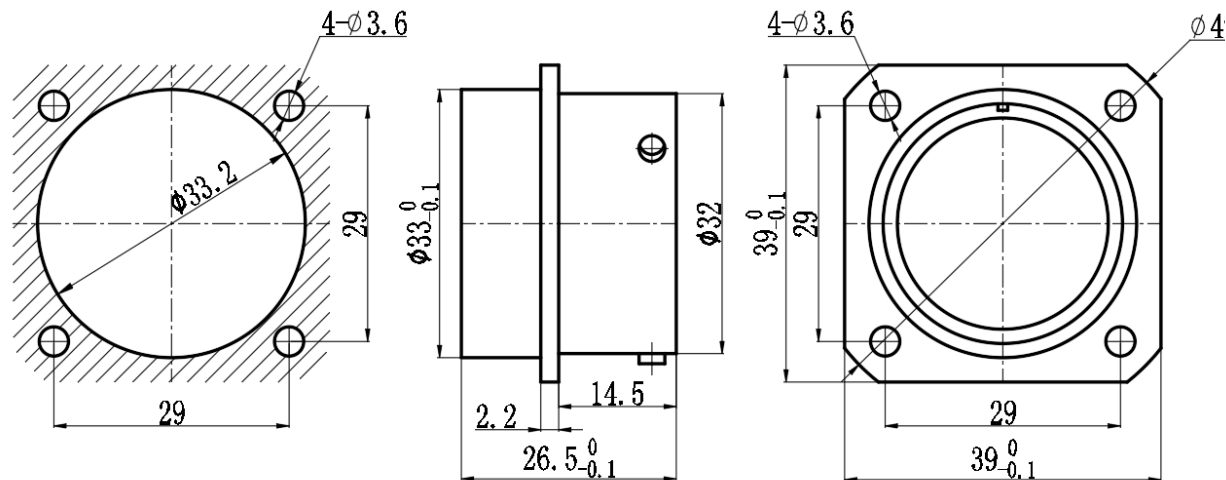
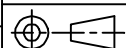


REV.	ECN. NO.	APPD.
A	WL-21-006	Jerry zhang



Technical Specifications

Operating temperature: $-55^{\circ}\text{C} - +125^{\circ}\text{C}$
 Relative humidity: $90\%-95\%$ at $40^{\circ}\text{C} \pm 2^{\circ}\text{C}$
 Operating pressure: $1.33 \text{ kPa} - 101.3 \text{ kPa}$
 Vibration: frequency $10-2000 \text{ Hz}$, acceleration 196 m/s^2
 Shock: acceleration 980.7 m/s^2
 Mechanical life: 500 cycles
 Housing material: High-strength aluminum alloy
 Contact parts: $\phi 1.5 * 16$
 Contact resistance: $\phi 1.5 \leq 3 \text{ m}\Omega$
 Contact current: $\phi 1.5 - 10\text{A}$
 Gas tightness: not greater than $4.6 * 10^2 \text{ Pa}\cdot\text{cm/s}^2$
 Dielectric strength: 1500V at normal temperature

x.±	x.±	UNITS	mm	NAME(INTENDED USE)	CLASS: <input type="checkbox"/> CONFIDENTIAL <input type="checkbox"/> SECRET <input checked="" type="checkbox"/> GENERAL						
.x± 0.8	.x±	MAT'L		16-pin needle-type through-wall socket							
.xx± 0.50	.xx±	SEE NOTES		PART NO.(INTENDED USE)	TITLE: CONN DRAWING						
.xxx±	.xxx±	FINISH		WLES25-9501	DWG NO.: WLES25-9501-0378						
		Q'TY		APPD: Yuan. wu 03/14'21	 <table border="1"> <tr> <td>SCALE</td> <td>SHEET</td> <td>REV.</td> </tr> <tr> <td>N/A</td> <td>1/1</td> <td>A</td> </tr> </table>	SCALE	SHEET	REV.	N/A	1/1	A
SCALE	SHEET	REV.									
N/A	1/1	A									
				CHKD: Lei. wang 03/15'21							
				DRAW: Min. sun 03/16'21							

IDEAS GENERATED DRAWING. DON'T CHANGE BY HAND.