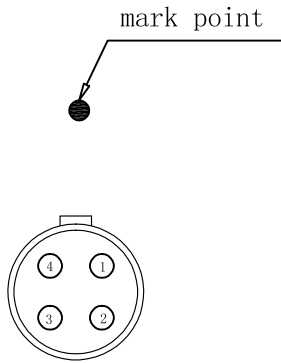
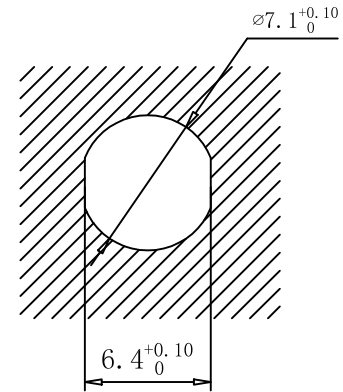
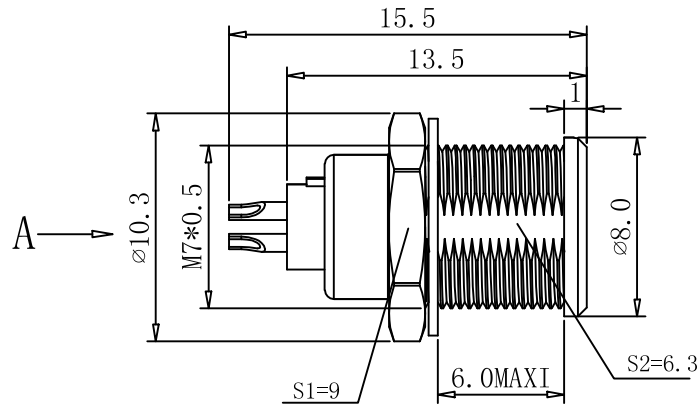


REV.	ECN. NO.	APPD.
A	WL-21-006	Jerry zhang



A view



Panel cut-outs

Product main performance:

Operating Temperature: -55~250℃
Humidity(max): $\leq 95\%$ [at 60 deg C / 140 F]
Shielding 75dB(10MHz) 40dB(1GHz)
Salt Spray Corrosion: 96hr
P op (max): 60 bar (870 psi)

Electrical data:
Vtest: 800V(contact-contact)
working voltage: 260V AC,
Insulation resistance: $\geq 5000 \text{ M}\Omega$
Rated Current: 2A
R (max): 10mΩ

Mechanical data:
Vibration: 15g[10Hz~2000Hz]
Shock Resistance $\square 100\text{g}[6\text{ms}]$
Endurance(Shell): 5000

Other Specification □
Contact Dia: 0.5mm
Contact PIN: gold plated Phosphor bronze
Housing Material: chrome plated brass
nut screw: nickel plated brass
Other metal spare parts: nickel plated brass
insulator material: PPS
IP Rating: IP50*

ALL MATERIALS ARE RoHS COMPLIANT.

IDEAS GENERATED DRAWING. DON'T CHANGE BY HAND.

x.±	x.±	UNITS mm	NAME(INTENDED USE) 00B 4-pin socket Z1	CLASS: <input type="checkbox"/> CONFIDENTIAL <input type="checkbox"/> SECRET <input checked="" type="checkbox"/> GENERAL
.x± 0.8	.x±	MAT'L	PART NO.(INTENDED USE) WLES13-7302	
.xx± 0.50	.xx±	SEE NOTES	APPD: Yuan. wu 03/14'21	TITLE: CONN DRAWING
.xxx±	.xxx±	FINISH	CHKD: Lei. wang 03/15'21	DWG NO.: WLES13-7302-0069
		Q'TY	DRAW: Min. sun 03/16'21	SCALE SHEET REV. N/A 1/1 A