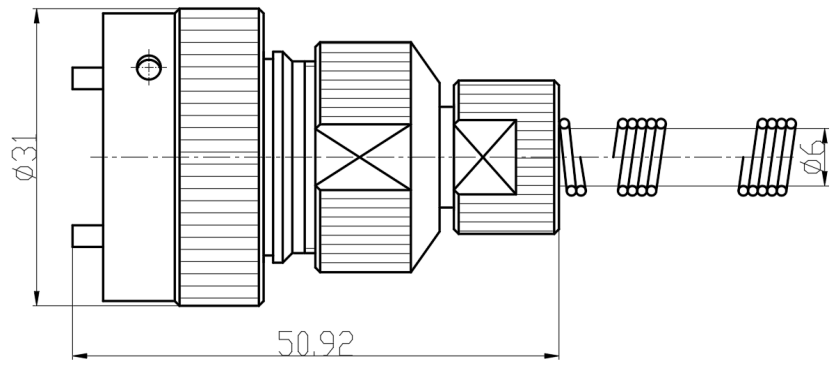


REV.	ECN. NO.	APPD.
A	WL-21-006	Jerry zhang



Technical Specifications

Operating temperature: -55°C - +125°C
 Relative humidity: 90%-95% at 40°C ±2°C
 Operating pressure: 4.39 kPa - 101.33 kPa
 Vibration: frequency 10-2000 Hz, acceleration 147 m/s²
 Shock: acceleration 490 m/s²
 Mechanical life: ≥500 mating cycles
 Housing material: Stainless steel
 Contact part: RJ45*1
 Attenuation: 0.3 dB
 Impedance: 100Ω
 Data rate: 1000 Mbps
 Dielectric strength: 100V at normal temperature
 Operating voltage: 150V
 Operating current: 1.5A
 Contact resistance: ≤20 mΩ
 Insulation resistance: ≥5000 MΩ

x.±	x.±	UNITS mm	NAME(INTENDED USE) RJ45 male plug	CLASS: <input type="checkbox"/> CONFIDENTIAL <input type="checkbox"/> SECRET <input checked="" type="checkbox"/> GENERAL						
.x± 0.8	.x±	MAT'L	PART NO.(INTENDED USE) WLES25-9501							
.xx± 0.50	.xx±	SEE NOTES	APPD: Yuan. wu 03/14*21	TITLE: CONN DRAWING						
.xxx±	.xxx±	FINISH	Q'TY	DWG NO.: WLES25-9501-0384						
			CHKD: Lei. wang 03/15*21							
			DRAW: Min. sun 03/16*21		<table border="1"> <tr> <td>SCALE</td> <td>SHEET</td> <td>REV.</td> </tr> <tr> <td>N/A</td> <td>1/1</td> <td>A</td> </tr> </table>	SCALE	SHEET	REV.	N/A	1/1
SCALE	SHEET	REV.								
N/A	1/1	A								

IDEAS GENERATED DRAWING. DON'T CHANGE BY HAND.