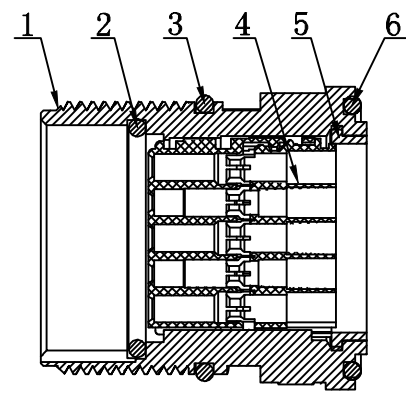
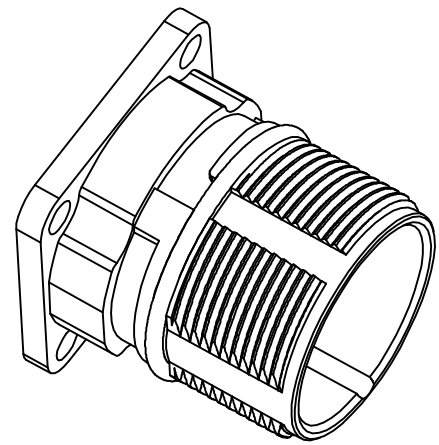
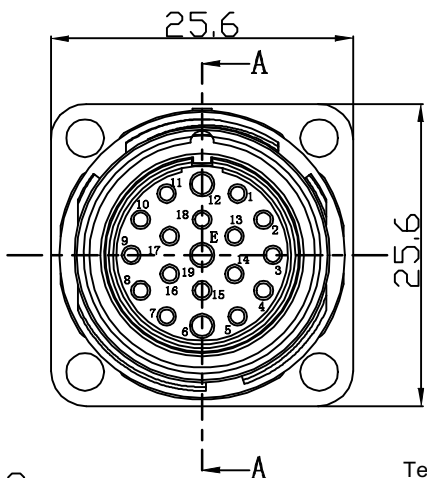
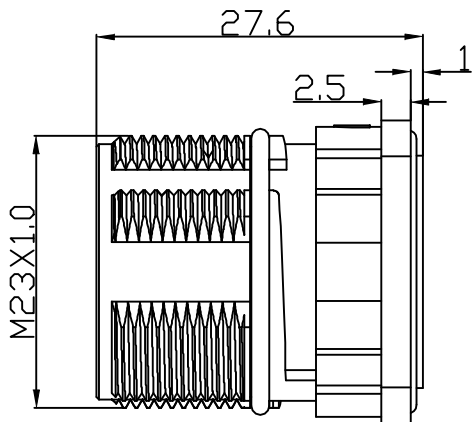
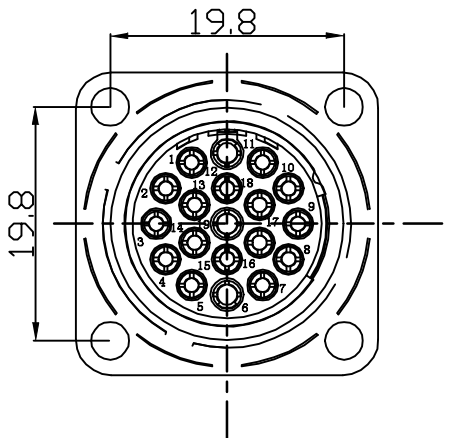
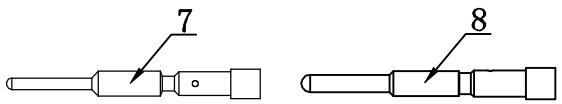
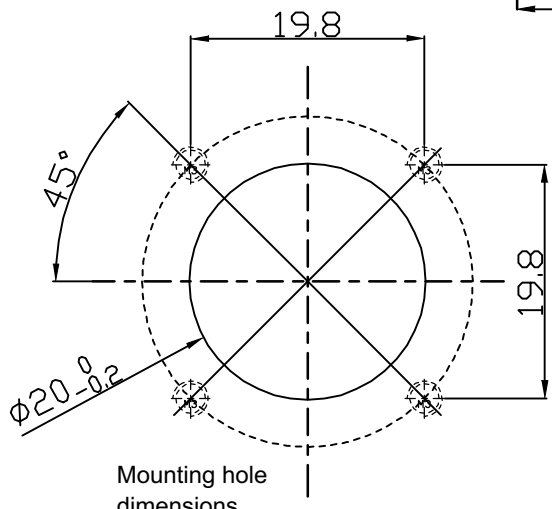


REV.	ECN. NO.	APPD.
A	WL-21-006	Jerry zhang



Section A-A



Mounting hole dimensions

Technical Specifications:

Materials comply with environmental requirements  
Connector protection rating: IP67  
Operating temperature: -40°C - +125°C  
Mechanical life: >500 mating cycles  
Rated voltage: 150V  
Rated current: 16x8A / 3x10A  
Contact plating material: Gold plating (3 microns)  
Contact resistance: <math>< 3m\Omega</math>  
Recommended wire size range:  
3x1.5 mm<sup>2</sup> (15-24 AWG)  
16x1.0 mm<sup>2</sup> (16-26 AWG)

No.	Name	Material	Remarks
1	Housing	Zinc Alloy	Plating: Bright Nickel
2	Sealing O-ring	Fluoroelastomer	Color: Green
3	Sealing O-ring	Fluoroelastomer	Color: Black
4	Insulator	RG151	Color: Natural
5	Locking Ring	PA	Color: Black
6	Sealing O-ring	Fluoroelastomer	Color: Red
7	1.0 Pin	Copper Alloy	Plating: Gold
8	1.5 Pin	Copper Alloy	Plating: Gold

	ANGLE				
	A	B	C	D	
0-5	±0.02	±0.05	±0.10		0°-30° ±0.1°
5-10	±0.05	±0.10	±0.15		31°-60° ±0.3°
10-50	±0.10	±0.15	±0.20		61°-90° ±0.5°
50-100	±0.15	±0.20	±0.25		
100-	±0.15%	±0.20%	±0.25%		

IDEAS GENERATED DRAWING. DON'T CHANGE BY HAND.

x.±	x.±	UNITS	mm	NAME (INTENDED USE)	M23 19-pin male socket
.x± 0.8	.x±	MAT'L			
.xx± 0.50	.xx±	SEE NOTES		PART NO. (INTENDED USE)	CLASS: <input type="checkbox"/> CONFIDENTIAL <input type="checkbox"/> SECRET <input checked="" type="checkbox"/> GENERAL
.xxx±	.xxx±	FINISH		WLES35-2104	TITLE: CONN DRAWING
		Q'TY		APPD: Yuan. wu 03/14*21	DWG NO.: WLES35-2104-0021
				CHKD: Lei. wang 03/15*21	
				DRAW: Min. sun 03/16*21	