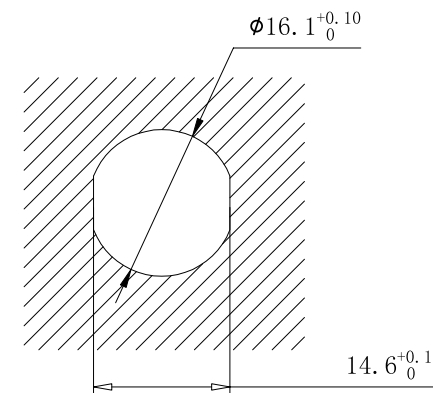
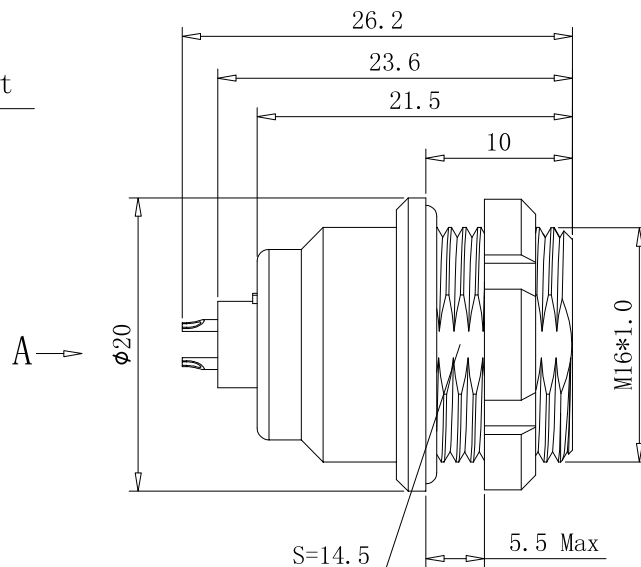
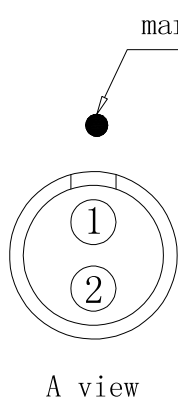


REV.	ECN. NO.	APPD.
A	WL-21-006	Jerry zhang



Panel cut-outs

Product main performance:

Operating Temperature: -55°C~125°C
 Humidity(max): $\leq 95\%$ [at 60 deg C/ 140 F]
 Shielding: 75dB(10MHz) 40dB(1GHz);
 Salt Spray Corrosion: 96hr

Electrical data:

Vtest: 1500v AC(contact-contact)
 working voltage:500V AC,
 Insulation resistance:$\geq 5000 M \Omega$
 Rated Current: 15A
 R (max):5m Ω

Mechanical data:

Vibration: 15g[10Hz~2000Hz]
 Shock Resistance: 100g[6ms]
 Endurance (Shell): 5000

Other Specification:

Contact Dia.: 1.3mm
 Contact Material: gold plated Phosphor bronze.
 Contact Type: solder male
 Housing Material: chrome plated brass
 nut, screw: nickel plated brass
 Other metal spare parts : nickel plated brass
 Insulator material: PPS
 IP Rating: IP68
 *ALL MATERIALS ARE RoHS COMPLIANT

IDEAS GENERATED DRAWING. DON'T CHANGE BY HAND.

x.±	x.±	UNITS	mm	NAME(INTENDED USE)	CLASS: <input type="checkbox"/> CONFIDENTIAL <input type="checkbox"/> SECRET <input checked="" type="checkbox"/> GENERAL
.x± 0.8	.x±	MAT'L		IK 2-core panel soldering type straight socket	
.xx± 0.50	.xx±	SEE NOTES		PART NO.(INTENDED USE)	TITLE: CONN DRAWING
.xxx±	.xxx±	FINISH		WLES13-7302	
		Q'TY		APPD: Yuan. wu 03/14'21	DWG NO.: WLES13-7302-0165
				CHKD: Lei. wang 03/15'21	
				DRAW: Min. sun 03/16'21	
					SCALE: N/A
					SHEET: 1/1
					REV: A