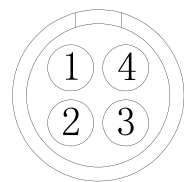
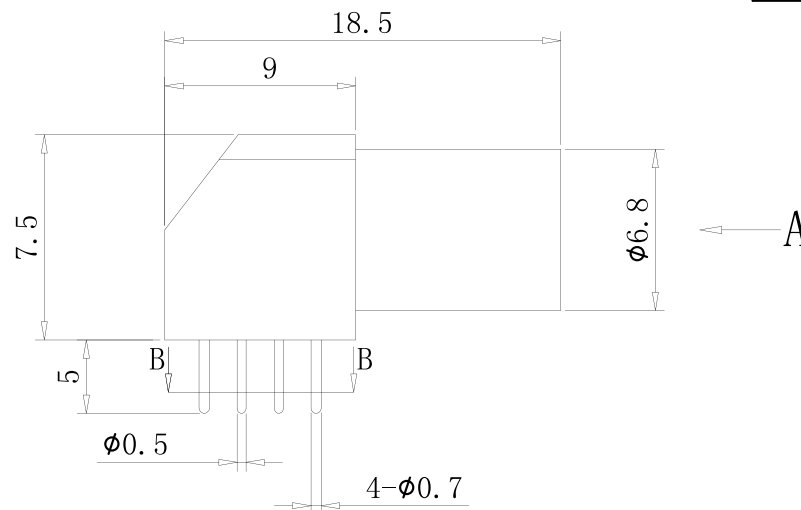


REV.	ECN. NO.	APPD.
A	WL-21-006	Jerry zhang



A view



Product main performance:  
 Operating Temperature: -55°C-125°C  
 Humidity(max): <=95% [at 60 deg C / 140 F]  
 Shielding: 75dB(10MHz) 40dB(1GHz):  
 Salt Spray Corrosion: 96hr  
 P op (max):60 bar (870 psi)

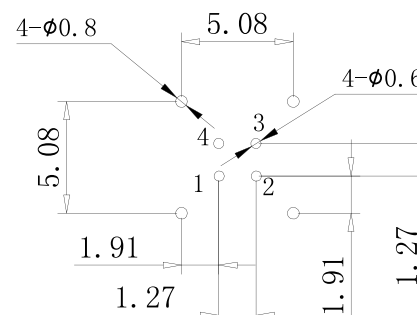
Electrical data:  
 Vtest: 800V(contact-contact)  
 working voltage:260V AC,  
 Insulation resistance:≥5000MΩ  
 Roted Current:2A  
 R (max): 10mΩ

Mechanical data:  
 Vibration: 15g[10Hz~2000Hz]  
 Shock Resistance: 100g[6ms]  
 Endurance(Shell): 5000

Other Specification:  
 Contact Dia. : 0.5mm  
 Contact PIN: gold plated Phosphor bronze  
 Housing Material: chrome plated brass  
 nut screw: nickel plated brass  
 Other metal spare parts : nickel plated brass  
 nsulator material: PPS  
 IP Rating: IP50\*

ALL MATERIALS ARE RoHS COMPLIANT

IDEAS GENERATED DRAWING. DON'T CHANGE BY HAND.



B-B  
PCB cut-outs

x.±	x.±	UNITS mm	NAME(INTENDED USE) 0B 4-pin socket Z11	CLASS: <input type="checkbox"/> CONFIDENTIAL <input type="checkbox"/> SECRET <input checked="" type="checkbox"/> GENERAL						
.x± 0.8	.x±	MAT'L	PART NO.(INTENDED USE) WLES53-7202							
.xx± 0.50	.xx±	SEE NOTES	APPD: Yuan. wu 03/14'21	TITLE: CONN DRAWING						
.xxx±	.xxx±	FINISH	CHKD: Lei. wang 03/15'21	DWG NO.: WLES53-7202-0037						
		Q'TY	DRAW: Min. sun 03/16'21	<table border="1"> <tr> <th>SCALE</th> <th>SHEET</th> <th>REV.</th> </tr> <tr> <td>N/A</td> <td>1/1</td> <td>A</td> </tr> </table>	SCALE	SHEET	REV.	N/A	1/1	A
SCALE	SHEET	REV.								
N/A	1/1	A								