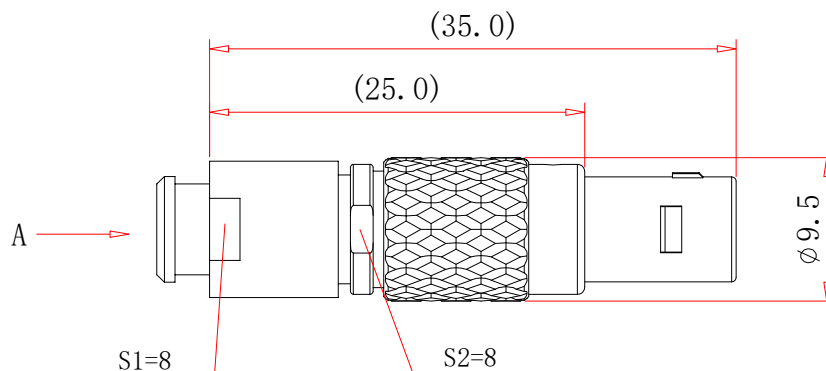


REV.	ECN. NO.	APPD.
A	WL-21-006	Jerry zhang

mark point



A view



Product main performance:

Operating Temperature: -55°C~125°C

Humidity(max): <=95% [at 60 deg C / 140 F]

Shielding: 75dB(10MHz) 40dB(1GHz):

Salt Spray Corrosion: 96hr

P op (max):60 bor (870 psi)

Electrical dato:

Vtest: 750V(contact-contact)

working voltage :300V AC,

Insulation resistance: ≥5000M Ω

Rated Current:2.5A

R (max): 10m Ω

Mechanical data:

Vibration: 15g[10Hz~2000Hz]

Shock Resistance: 100g[6ms]

Endurance(Shell): 5000

Other Specification:

Contact Dia: 0.5mm

Contact PIN: gold plated brass.

Housing Material: chrome plated brass

nut、screw: nickel plated brass

Other metal spare parts : nickel plated brass

Insulator material: PPS

IP Rating: IP50

•ALL MATERIALS ARE ROHS COMPLIANT

Cable OD (MM)	Cable diameter	
	Min	Maxi
23	1.4	2.3
30	2.6	3.0
35	3.1	3.5
40	3.4	4.0
45	4.1	4.5
50	4.6	5.0

x.±	x.±	UNITS mm	NAME(INTENDED USE) 08 6-pin vertical plug	CLASS: <input type="checkbox"/> CONFIDENTIAL <input type="checkbox"/> SECRET <input checked="" type="checkbox"/> GENERAL
.x± 0.8	.x±	MAT'L	PART NO.(INTENDED USE) WLES13-7302	
.xx± 0.50	.xx±	SEE NOTES	APPD: Yuan. wu 03/14'21	TITLE: CONN DRAWING
.xxx±	.xxx±	FINISH	CHKD: Lei. wang 03/15'21	DWG NO.: WLES13-7302-0113
		Q'TY	DRAW: Min. sun 03/16'21	
				SCALE: N/A
				SHEET: 1/1
				REV: A

IDEAS GENERATED DRAWING. DON'T CHANGE BY HAND.