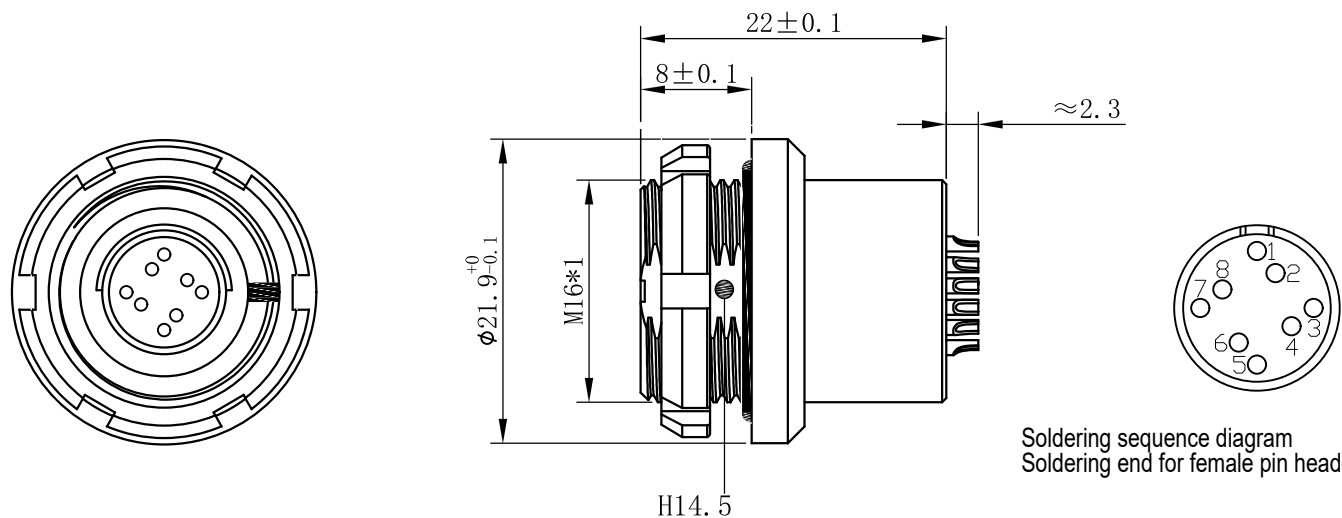


REV.	ECN. NO.	APPD.
A	WL-21-006	Jerry zhang



### Structural Materials

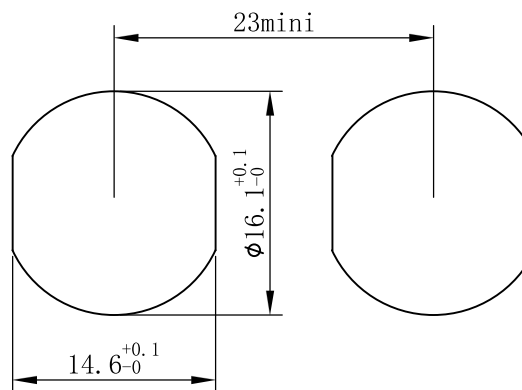
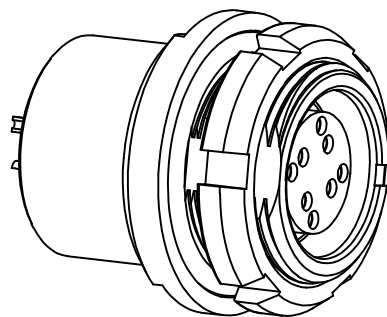
Shell Material: Copper alloy with pearl chromium plating  
 Insulating Material: PPS (Polyphenylene Sulfide)  
 Pin Material: Copper alloy with gold plating  
 Pin Specifications:  $\phi 0.7$

### Electrical Characteristics

Insulation Resistance:  $> 5000M\Omega$   
 Contact Resistance:  $8m\Omega$   
 Rated Current: 8A  
 Shielding Effectiveness:  $> 75dB$  at 10MHz  
 Shielding Effectiveness:  $> 40dB$  at 1GHz

### Mechanical and Environmental Characteristics:

Insertions/Uninsertions:  $> 5000$  cycles  
 Operating Temperature:  $-40^{\circ}C \sim +150^{\circ}C$   
 Vibration Resistance: 10~2000Hz, 15g  
 Shock Resistance: 100g, 6ms  
 Salt Spray Corrosion Test: 144 hours  
 Protection Level: (when mated) IP68



Panel cutout dimensions

IDEAS GENERATED DRAWING. DON'T CHANGE BY HAND.

x.±	x.±	UNITS	mm	NAME(INTENDED USE)	CLASS: <input type="checkbox"/> CONFIDENTIAL <input type="checkbox"/> SECRET <input checked="" type="checkbox"/> GENERAL
.x± 0.8	.x±	MAT'L		2X 8-pin vertical socket with wire-soldering holes	
.xx± 0.50	.xx±	SEE NOTES		PART NO.(INTENDED USE)	TITLE: CONN DRAWING
.xxx±	.xxx±	FINISH		WLES13-7302-	DWG NO.: WLES13-7302
		Q'TY		APPD: Yuan. wu 03/14'21	
				CHKD: Lei. wang 03/15'21	
				DRAW: Min. sun 03/16'21	
					SCALE SHEET REV. N/A 1/1 A