

### FEATURES

Specified for  $V_{DD}$  of 1.6 V to 3.6 V

#### Low power

- 0.62 mW typical at 100 kSPS with 3 V supplies
- 0.48 mW typical at 50 kSPS with 3.6 V supplies
- 0.12 mW typical at 100 kSPS with 1.6 V supplies

Fast throughput rate: 200 kSPS

Wide input bandwidth: 71 dB SNR at 30 kHz input frequency

Flexible power/serial clock speed management

No pipeline delays

High speed serial interface

SPI/QSPI™/MICROWIRE™/DSP compatible

Automatic power-down

Power-down mode: 8 nA typical

### APPLICATIONS

Battery-powered systems

Medical instruments

Remote data acquisition

Isolated data acquisition

### GENERAL DESCRIPTION

The AD7466-KGD<sup>1</sup> are 12-bit, high speed, low power, successive approximation analog-to-digital converter (ADC). The part operates from a single 1.6 V to 3.6 V power supply and features throughput rates up to 200 kSPS with low power dissipation. The part contains a low noise, wide bandwidth track-and-hold amplifier, which can handle input frequencies in excess of 3 MHz.

The conversion process and data acquisition are controlled using  $\overline{CS}$  and the serial clock, allowing the device to interface with microprocessors or DSPs. The input signal is sampled on the falling edge of  $\overline{CS}$ , and the conversion is also initiated at this point. There are no pipeline delays associated with the part.

The reference for the part is taken internally from  $V_{DD}$ . This allows the widest dynamic input range to the ADC. Thus, the analog input range for the part is 0 V to  $V_{DD}$ . The conversion rate is determined by the SCLK.

<sup>1</sup> Protected by U.S. Patent No. 6,681,332.

Rev. A

[Document Feedback](#)

Information furnished by Analog Devices is believed to be accurate and reliable. However, no responsibility is assumed by Analog Devices for its use, nor for any infringements of patents or other rights of third parties that may result from its use. Specifications subject to change without notice. No license is granted by implication or otherwise under any patent or patent rights of Analog Devices. Trademarks and registered trademarks are the property of their respective owners.

### FUNCTIONAL BLOCK DIAGRAM

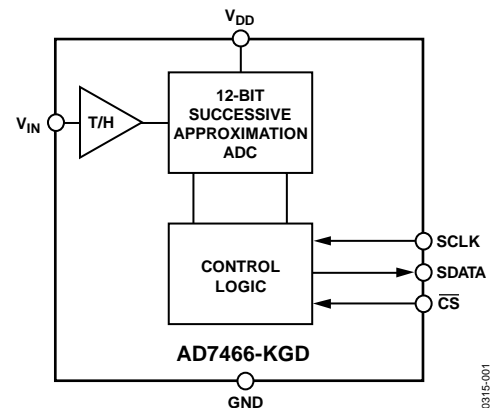


Figure 1.

10215-001

### PRODUCT HIGHLIGHTS

1. Specified for supply voltages of 1.6 V to 3.6 V.
2. High throughput rate with low power consumption. Power consumption in normal mode of operation at 100 kSPS and 3 V is 0.9 mW maximum.
3. Flexible power/serial clock speed management. The conversion rate is determined by the serial clock, allowing the conversion time to be reduced through increases in the serial clock speed. Automatic power-down after conversion allows the average power consumption to be reduced when in power-down. Current consumption is 0.1  $\mu$ A maximum and 8 nA typically when in power-down.
4. Reference derived from the power supply.
5. No pipeline delay.
6. The part features a standard successive approximation ADC with accurate control of conversions via a  $\overline{CS}$  input.

**TABLE OF CONTENTS**

Features .....	1	Timing Examples.....	6
Applications.....	1	Absolute Maximum Ratings .....	7
Functional Block Diagram .....	1	ESD Caution.....	7
General Description .....	1	Pin Configuration and Function Descriptions.....	8
Product Highlights .....	1	Outline Dimensions .....	9
Revision History .....	2	Die Specifications and Assembly Recommendations .....	9
Specifications.....	3	Ordering Guide .....	9
Timing Specifications .....	5		

**REVISION HISTORY**

**10/14—Rev. 0 to Rev. A**  
Change to Bond Pad Composition Value, Table 5 ..... 9

**11/11—Revision 0: Initial Version**

## SPECIFICATIONS

$V_{DD} = 1.6\text{ V}$  to  $3.6\text{ V}$ ,  $f_{SCLK} = 3.4\text{ MHz}$ ,  $f_{SAMPLE} = 100\text{ kSPS}$ , unless otherwise noted.  $T_A = T_{MIN}$  to  $T_{MAX}$ , unless otherwise noted. The temperature range for the AD7466-KGD version is  $-40^\circ\text{C}$  to  $+85^\circ\text{C}$ .

Table 1.

Parameter	Min	Typ	Max	Unit	Test Conditions/Comments
<b>DYNAMIC PERFORMANCE</b>					
Signal-to-Noise and Distortion (SINAD)	69			dB	$f_{IN} = 30\text{ kHz}$ sine wave $1.8\text{ V} \leq V_{DD} \leq 2\text{ V}$
	70			dB	$2.5\text{ V} \leq V_{DD} \leq 3.6\text{ V}$
Signal-to-Noise Ratio (SNR)		70		dB	$V_{DD} = 1.6\text{ V}$
	70			dB	$1.8\text{ V} \leq V_{DD} \leq 2\text{ V}$
		71		dB	$1.8\text{ V} \leq V_{DD} \leq 2\text{ V}$
	71			dB	$2.5\text{ V} \leq V_{DD} \leq 3.6\text{ V}$
Total Harmonic Distortion (THD)		70.5		dB	$V_{DD} = 1.6\text{ V}$
Peak Harmonic or Spurious Noise (SFDR)		-83		dB	
Intermodulation Distortion (IMD)		-85		dB	
Second-Order Terms		-84		dB	$f_a = 29.1\text{ kHz}$ , $f_b = 29.9\text{ kHz}$
Third-Order Terms		-86		dB	
Aperture Delay		10		ns	
Aperture Jitter		40		ps	
Full Power Bandwidth		3.2		MHz	At 3 dB, $2.5\text{ V} \leq V_{DD} \leq 3.6\text{ V}$
		1.9		MHz	At 3 dB, $1.6\text{ V} \leq V_{DD} \leq 2.2\text{ V}$
		750		kHz	At 0.1 dB, $2.5\text{ V} \leq V_{DD} \leq 3.6\text{ V}$
		450		kHz	At 0.1 dB, $1.6\text{ V} \leq V_{DD} \leq 2.2\text{ V}$
<b>DC ACCURACY</b>					
Resolution		12		Bits	Maximum specifications apply as typical figures when $V_{DD} = 1.6\text{ V}$
Integral Nonlinearity			$\pm 1.5$	LSB	
Differential Nonlinearity			$-0.9/+1.5$	LSB	Guaranteed no missed codes to 12 bits
Offset Error			$\pm 1$	LSB	
Gain Error			$\pm 1$	LSB	
Total Unadjusted Error (TUE)			$\pm 2$	LSB	
<b>ANALOG INPUT</b>					
Input Voltage Range	0		$V_{DD}$	V	
DC Leakage Current			$\pm 1$	$\mu\text{A}$	
Input Capacitance		20		pF	
<b>LOGIC INPUTS</b>					
Input High Voltage, $V_{INH}$	$0.7 \times V_{DD}$			V	$1.6\text{ V} \leq V_{DD} < 2.7\text{ V}$
	2			V	$2.7\text{ V} \leq V_{DD} \leq 3.6\text{ V}$
Input Low Voltage, $V_{INL}$			$0.2 \times V_{DD}$	V	$1.6\text{ V} \leq V_{DD} < 1.8\text{ V}$
			$0.3 \times V_{DD}$	V	$1.8\text{ V} \leq V_{DD} < 2.7\text{ V}$
			0.8	V	$2.7\text{ V} \leq V_{DD} \leq 3.6\text{ V}$
Input Current, $I_{IN}$ , SCLK Pin			$\pm 1$	$\mu\text{A}$	Typically 20 nA, $V_{IN} = 0\text{ V}$ or $V_{DD}$
Input Current, $I_{IN}$ , $\overline{\text{CS}}$ Pin		$\pm 1$		$\mu\text{A}$	
Input Capacitance, $C_{IN}$			10	pF	Sample tested at $25^\circ\text{C}$ to ensure compliance
<b>LOGIC OUTPUTS</b>					
Output High Voltage, $V_{OH}$	$V_{DD} - 0.2$			V	$I_{SOURCE} = 200\ \mu\text{A}$ , $V_{DD} = 1.6\text{ V}$ to $3.6\text{ V}$
Output Low Voltage, $V_{OL}$			0.2	V	$I_{SINK} = 200\ \mu\text{A}$
Floating-State Leakage Current			$\pm 1$	$\mu\text{A}$	
Floating-State Output Capacitance			10	pF	
Output Coding	Straight (natural) binary				

Parameter	Min	Typ	Max	Unit	Test Conditions/Comments
CONVERSION RATE					
Conversion Time			4.70	μs	16 SCLK cycles with SCLK at 3.4 MHz
Throughput Rate			200	kSPS	
POWER REQUIREMENTS					
V <sub>DD</sub>	1.6		3.6	V	Digital inputs = 0 V or V <sub>DD</sub> V <sub>DD</sub> = 3 V, f <sub>SAMPLE</sub> = 100 kSPS V <sub>DD</sub> = 3 V, f <sub>SAMPLE</sub> = 50 kSPS V <sub>DD</sub> = 3 V, f <sub>SAMPLE</sub> = 10 kSPS V <sub>DD</sub> = 2.5 V, f <sub>SAMPLE</sub> = 100 kSPS V <sub>DD</sub> = 2.5 V, f <sub>SAMPLE</sub> = 50 kSPS V <sub>DD</sub> = 2.5 V, f <sub>SAMPLE</sub> = 10 kSPS V <sub>DD</sub> = 1.8 V, f <sub>SAMPLE</sub> = 100 kSPS V <sub>DD</sub> = 1.8 V, f <sub>SAMPLE</sub> = 50 kSPS V <sub>DD</sub> = 1.8 V, f <sub>SAMPLE</sub> = 10 kSPS SCLK on or off, typically 8 nA
I <sub>DD</sub>					
Normal Mode (Operational)			300	μA	
		110		μA	
		20		μA	
			240	μA	
		80		μA	
		16		μA	
			165	μA	
		50		μA	
		10		μA	
Power-Down Mode			0.1	μA	
Power Dissipation					
Normal Mode (Operational)			0.9	mW	
			0.6	mW	
			0.3	mW	
Power-Down Mode			0.3	μW	

**TIMING SPECIFICATIONS**

For all devices,  $V_{DD} = 1.6\text{ V to }3.6\text{ V}$ ;  $T_A = T_{MIN}$  to  $T_{MAX}$ , unless otherwise noted. Sample tested at  $25^\circ\text{C}$  to ensure compliance. All input signals are specified with  $t_r = t_f = 5\text{ ns}$  (10% to 90% of  $V_{DD}$ ) and timed from a voltage level of 1.4 V.

**Table 2.**

Parameter	Limit at $T_{MIN}$ , $T_{MAX}$	Unit	Description
$f_{SCLK}$	3.4	MHz max	Mark/space ratio for the SCLK input is 40/60 to 60/40.
	10	kHz min	$1.6\text{ V} \leq V_{DD} \leq 3\text{ V}$ ; minimum $f_{SCLK}$ at which specifications are guaranteed.
	20	kHz min	$V_{DD} = 3.3\text{ V}$ ; minimum $f_{SCLK}$ at which specifications are guaranteed.
	150	kHz min	$V_{DD} = 3.6\text{ V}$ ; minimum $f_{SCLK}$ at which specifications are guaranteed.
$t_{CONVERT}$ Acquisition Time	$16 \times t_{SCLK}$		Acquisition time/power-up time from power-down. The acquisition time is the time required for the part to acquire a full-scale step input value within $\pm 1\text{ LSB}$ or a 30 kHz ac input value within $\pm 0.5\text{ LSB}$ .
$t_{QUIET}$	780	ns max	$V_{DD} = 1.6\text{ V}$ .
	640	ns max	$1.8\text{ V} \leq V_{DD} \leq 3.6\text{ V}$ .
$t_1$	10	ns min	Minimum quiet time required between bus relinquish and the start of the next conversion.
$t_2$	55	ns min	Minimum $\overline{CS}$ pulse width.
$t_3$	55	ns min	$\overline{CS}$ to SCLK setup time. If $V_{DD} = 1.6\text{ V}$ and $f_{SCLK} = 3.4\text{ MHz}$ , $t_2$ has to be 192 ns minimum in order to meet the maximum figure for the acquisition time.
$t_4$	55	ns max	Delay from $\overline{CS}$ until SDATA is three-state disabled. Measured with the load circuit in Figure 2 and defined as the time required for the output to cross the $V_{IH}$ or $V_{IL}$ voltage.
$t_5$	140	ns max	Data access time after SCLK falling edge. Measured with the load circuit in Figure 2 and defined as the time required for the output to cross the $V_{IH}$ or $V_{IL}$ voltage.
$t_6$	$0.4 t_{SCLK}$	ns min	SCLK low pulse width.
$t_7$	$0.4 t_{SCLK}$	ns min	SCLK high pulse width.
$t_8$	10	ns min	SCLK to data valid hold time. Measured with the load circuit in Figure 2 and defined as the time required for the output to cross the $V_{IH}$ or $V_{IL}$ voltage.
$t_8$	60	ns max	SCLK falling edge to SDATA three-state. $t_8$ is derived from the measured time taken by the data outputs to change 0.5 V when loaded with the circuit in Figure 2. The measured number is then extrapolated back to remove the effects of charging or discharging the 50 pF capacitor. This means that the time, $t_8$ , quoted in the timing characteristics, is the true bus relinquish time of the part, and is independent of the bus loading.
	7	ns min	SCLK falling edge to SDATA three-state.

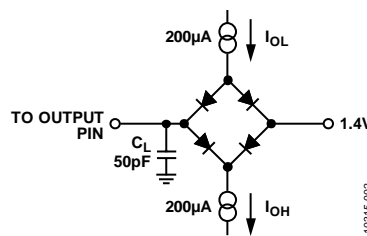


Figure 2. Load Circuit for Digital Output Timing Specifications

**TIMING EXAMPLES**

Figure 3 shows some of the timing parameters from Table 2 in the Timing Specifications section.

**Timing Example 1**

As shown in Figure 3,  $f_{SCLK} = 3.4 \text{ MHz}$  and a throughput of 100 kSPS gives a cycle time of  $t_{CONVERT} + t_8 + t_{QUIET} = 10 \mu\text{s}$ . Assuming  $V_{DD} = 1.8 \text{ V}$ ,  $t_{CONVERT} = t_2 + 15(1/f_{SCLK}) = 55 \text{ ns} + 4.41 \mu\text{s} = 4.46 \mu\text{s}$ , and  $t_8 = 60 \text{ ns}$  maximum, then  $t_{QUIET} = 5.48 \mu\text{s}$ , which satisfies the requirement of 10 ns for  $t_{QUIET}$ . The part is fully powered up and the signal is fully acquired at Point A. This means that the acquisition/power-up time is  $t_2 + 2(1/f_{SCLK}) = 55 \text{ ns} + 588 \text{ ns} = 643 \text{ ns}$ , satisfying the maximum requirement of 640 ns for the power-up time.

**Timing Example 2**

The AD7466-KGD can also operate with slower clock frequencies. As shown in Figure 3, assuming  $V_{DD} = 1.8 \text{ V}$ ,  $f_{SCLK} = 2 \text{ MHz}$ , and a throughput of 50 kSPS gives a cycle time of  $t_{CONVERT} + t_8 + t_{QUIET} = 20 \mu\text{s}$ . With  $t_{CONVERT} = t_2 + 15(1/f_{SCLK}) = 55 \text{ ns} + 7.5 \mu\text{s} = 7.55 \mu\text{s}$ , and  $t_8 = 60 \text{ ns}$  maximum, this leaves  $t_{QUIET}$  to be  $12.39 \mu\text{s}$ , which satisfies the requirement of 10 ns for  $t_{QUIET}$ . The part is fully powered up and the signal is fully acquired at Point A, which means the acquisition/power-up time is  $t_2 + 2(1/f_{SCLK}) = 55 \text{ ns} + 1 \mu\text{s} = 1.05 \mu\text{s}$ , satisfying the maximum requirement of 640 ns for the power-up time. In this example and with other slower clock values, the part is fully powered up and the signal already acquired before the third SCLK falling edge; however, the track-and-hold does not go into hold mode until that point. In this example, the part can be powered up and the signal can be fully acquired at approximately Point B in Figure 3.

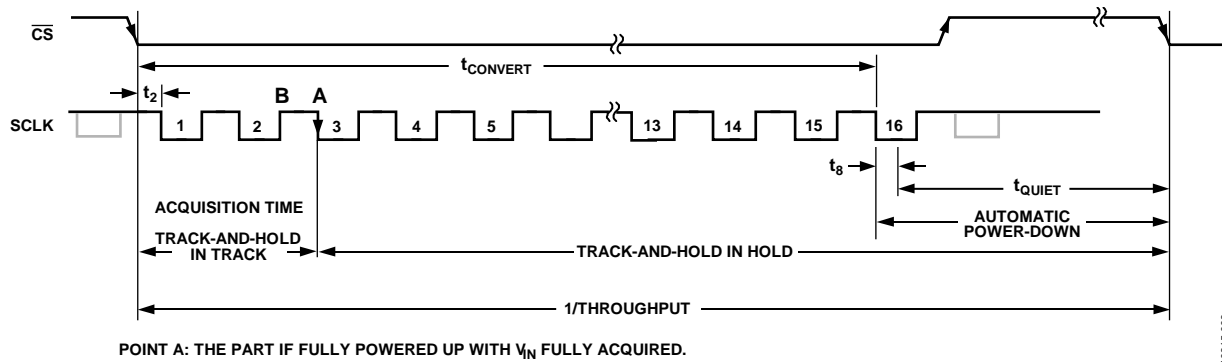


Figure 3. AD7466-KGD Serial Interface Timing Diagram Example

1031E-003

## ABSOLUTE MAXIMUM RATINGS

$T_A = 25^\circ\text{C}$ , unless otherwise noted. Transient currents of up to 100 mA do not cause SCR latch-up.

Table 3.

Parameter	Rating
$V_{DD}$ to GND	-0.3 V to +7 V
Analog Input Voltage to GND	-0.3 V to $V_{DD} + 0.3$ V
Digital Input Voltage to GND	-0.3 V to +7 V
Digital Output Voltage to GND	-0.3 V to $V_{DD} + 0.3$ V
Input Current to any Pin Except Supplies	$\pm 10$ mA
Operating Temperature Range	$-40^\circ\text{C}$ to $+85^\circ\text{C}$
Storage Temperature Range	$-65^\circ\text{C}$ to $+150^\circ\text{C}$
Junction Temperature	$150^\circ\text{C}$
Lead Temperature, Soldering	
Vapor Phase (60 sec)	$215^\circ\text{C}$
Infrared (15 sec)	$220^\circ\text{C}$
ESD	3.5 kV

Stresses at or above those listed under Absolute Maximum Ratings may cause permanent damage to the product. This is a stress rating only; functional operation of the product at these or any other conditions above those indicated in the operational section of this specification is not implied. Operation beyond the maximum operating conditions for extended periods may affect product reliability.

### ESD CAUTION



**ESD (electrostatic discharge) sensitive device.** Charged devices and circuit boards can discharge without detection. Although this product features patented or proprietary protection circuitry, damage may occur on devices subjected to high energy ESD. Therefore, proper ESD precautions should be taken to avoid performance degradation or loss of functionality.

## PIN CONFIGURATION AND FUNCTION DESCRIPTIONS

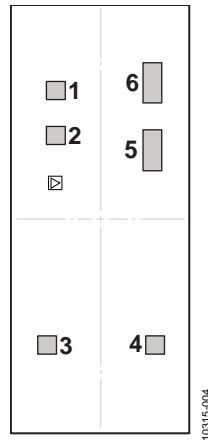


Figure 4. Pad Configuration

Table 4. Pad Function Descriptions

Pad No.	X-Axis ( $\mu\text{m}$ )	Y-Axis ( $\mu\text{m}$ )	Mnemonic	Pad Type	Description
1	-173	+634	$\overline{\text{CS}}$	Single	Chip Select. Active low logic input. This input provides the dual function of initiating conversions on the devices and frames the serial data transfer.
2	-173	+494	SDATA	Single	Data Out. Logic output. The conversion result from the AD7466-KGD is provided on this output as a serial data stream. The bits are clocked out on the falling edge of the SCLK input. The data stream from the AD7466-KGD consists of four leading zeros followed by the 12 bits of conversion data, provided MSB first.
3	-187	-600	SCLK	Single	Serial Clock. Logic input. SCLK provides the serial clock for accessing data from the parts. This clock input is also used as the clock source for the conversion process of the parts.
4	+187	-600	$V_{\text{IN}}$	Single	Analog Input. Single-ended analog input channel. The input range is 0 V to $V_{\text{DD}}$ .
5A	+173	+447.6	GND	Double	Analog Ground. Ground reference point for all circuitry on the devices. All analog input signals should be referred to this GND voltage.
5B	+173	+489.6	GND	Double	Analog Ground. Ground reference point for all circuitry on the devices. All analog input signals should be referred to this GND voltage.
6A	+173	+637.6	$V_{\text{DD}}$	Double	Power Supply Input. The $V_{\text{DD}}$ range for the devices is from 1.6 V to 3.6 V.
6B	+173	+679.6	$V_{\text{DD}}$	Double	Power Supply Input. The $V_{\text{DD}}$ range for the devices is from 1.6 V to 3.6 V.



### OUTLINE DIMENSIONS

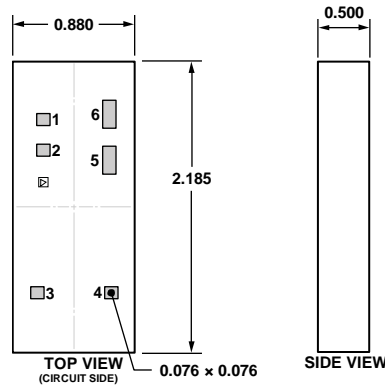


Figure 5. 6-Pad Bare Die [CHIP]  
(C-6-4)  
Dimensions shown in millimeters

### DIE SPECIFICATIONS AND ASSEMBLY RECOMMENDATIONS

Table 5. Die Specifications

Parameter	Value	Unit
Chip Size	660 (x) × 2015 (y)	μm
Scribe Line Width	120 (x) × 170 (y)	μm
Die Size	880 (x) × 2185 (y)	μm
Thickness	500	μm
Backside	Silicon	Not applicable
Passivation	Nitride	Not applicable
Bond Pads (Minimum Size)	76 × 76	μm
Bond Pad Composition	99.5% Al, 0.5% Cu	%
ESD	3.5	kV

Table 6. Assembly Recommendations

Assembly Component	Recommendation
Die Attach	Epoxy adhesive
Bonding Method	Gold ball or aluminum wedge
Bonding Sequence	Five First

### ORDERING GUIDE

Model	Temperature Range	Package Description	Package Option
AD7466-KGD-DF	−40°C to +85°C	6-Pad Bare Die [CHIP]	C-6-4

# Mouser Electronics

Authorized Distributor

Click to View Pricing, Inventory, Delivery & Lifecycle Information:

[Analog Devices Inc.:](#)

[AD7466BRMZ-REEL7](#) [AD7466BRTZ-REEL7](#)