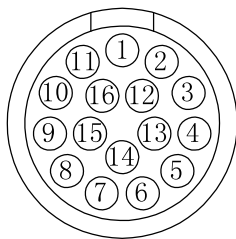
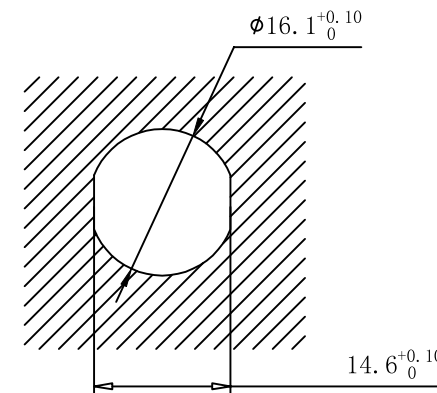
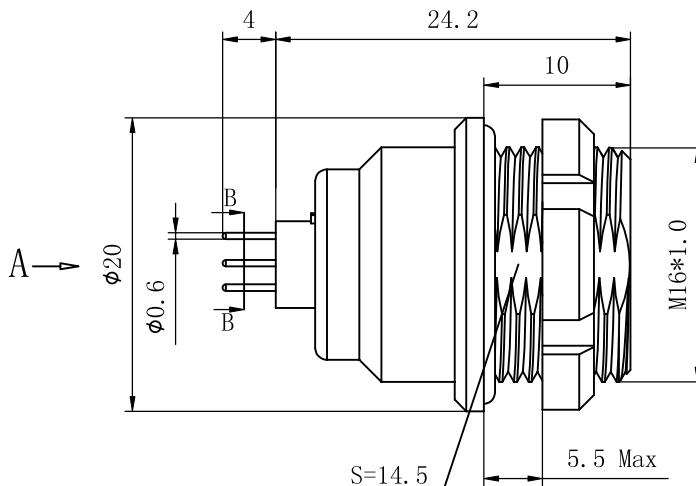


REV.	ECN. NO.	APPD.
A	WL-21-006	Jerry zhang

mark point



A view



Panel cut-outs

Product main performance:  
 Operating Temperature:  $-55^{\circ}\text{C} \sim 125^{\circ}\text{C}$   
 Humidity(max):  $\leq 95\%$  [at 60 deg C/ 140 F]  
 Shielding: 75dB(10MHz) 40dB(1GHz);  
 Salt Spray Corrosion: 96hr

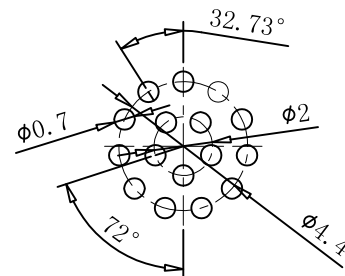
Electrical data:  
 Vtest: 800v AC(contact-contact)  
 working voltage: 260V AC,  
 Insulation resistance:  $\geq 5000\text{M}\Omega$   
 Rated Current : 1.5A  
 R (max) :  $10\text{m}\Omega$

Mechanical data:  
 Vibration: 15g[10Hz~2000Hz]  
 Shock Resistance: 100g[6ms]  
 Endurance (Shell): 5000

Other Specification:  
 Contact Dia. : 0.5mm  
 Contact Material: gold plated Phosphor bronze.  
 Contact Type: Print female  
 Housing Material: chrome plated brass  
 nut, screw: nickel plated brass  
 Other metal spare parts : nickel plated brass  
 Insulator material: PPS  
 IP Rating: IP68  
 \*ALL MATERIALS ARE RoHS COMPLIANT

IDEAS GENERATED DRAWING. DON'T CHANGE BY HAND.

mark point



B-B  
PCB Panel cut-outs

x.±	x.±	UNITS mm	NAME(INTENDED USE) 1K 16-core socket	CLASS: <input type="checkbox"/> CONFIDENTIAL <input type="checkbox"/> SECRET <input checked="" type="checkbox"/> GENERAL
.x± 0.8	.x±	MAT'L	PART NO.(INTENDED USE) WLES13-7302	
.xx± 0.50	.xx±	SEE NOTES	APPD: Yuan. wu 03/14'21	TITLE: CONN DRAWING
.xxx±	.xxx±	FINISH	CHKD: Lei. wang 03/15'21	DWG NO.: WLES13-7302-0124
		Q'TY	DRAW: Min. sun 03/16'21	SCALE: N/A
				SHEET: 1/1
				REV: A