

DATASHEET - EASY-E4-CONNECT1



Replacement parts pack, 3 connecting plugs between base and expansion unit/bus module as well as 3 covers, For use with easyE4



Part no. **EASY-E4-CONNECT1**
 Catalog No. **197225**

Delivery program

Description			Replacement parts pack, 3 connecting plugs between base and expansion unit/bus module as well as 3 covers
For use with			easyE4

Design verification as per IEC/EN 61439

Technical data for design verification			
Operating ambient temperature min.		°C	-25
Operating ambient temperature max.		°C	55
IEC/EN 61439 design verification			
10.2 Strength of materials and parts			
10.2.2 Corrosion resistance			Meets the product standard's requirements.

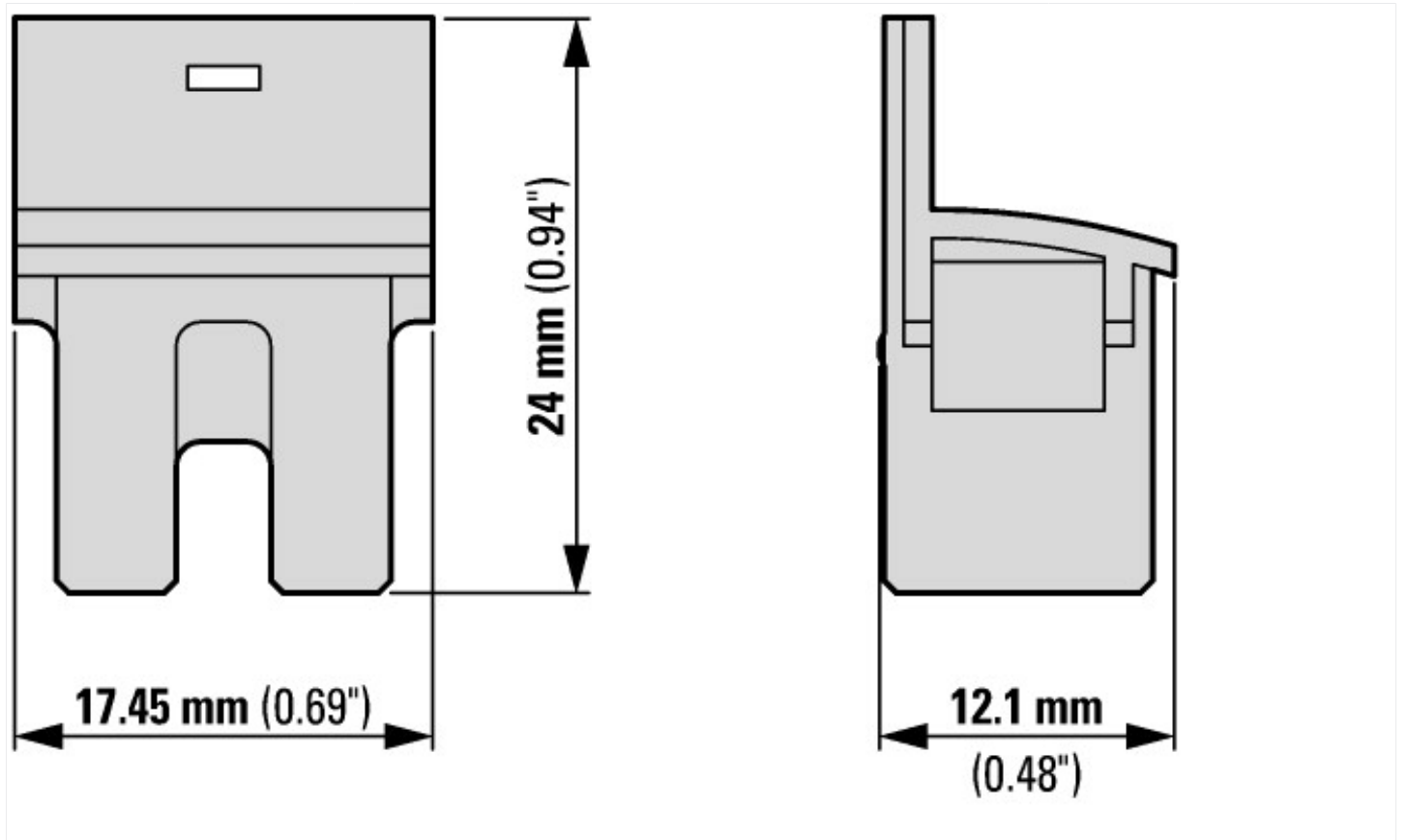
Technical data ETIM 7.0

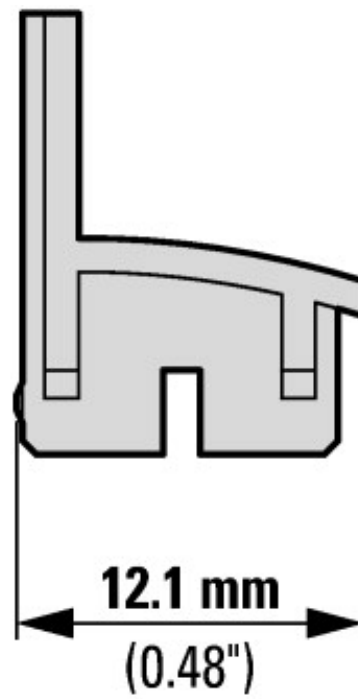
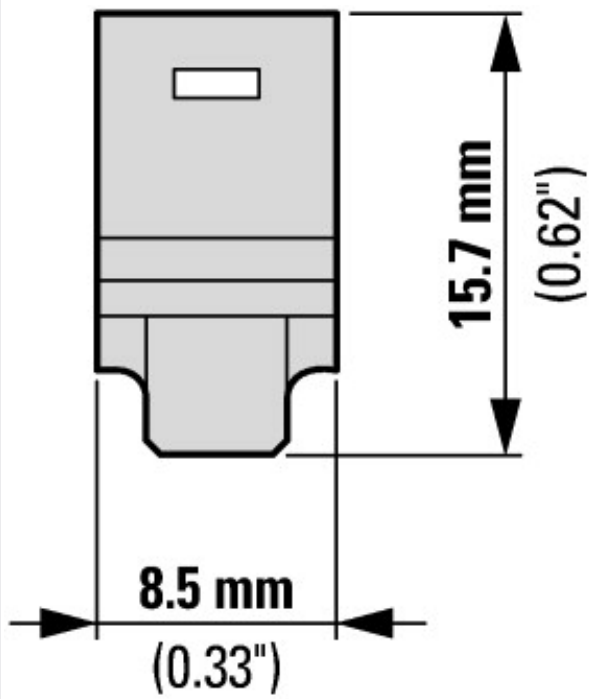
PLC's (EG000024) / Accessories for controls (EC002584)			
Electric engineering, automation, process control engineering / Control / Programmable logic control (SPS) / Programmable logic control (SPS, accessories) (ecl@ss10.0.1-27-24-22-92 [AFR333003])			
Type of electrical accessory			Plug
Type of mechanical accessory			Other

Approvals

Degree of Protection			IEC: IP20, UL/CSA Type: -
----------------------	--	--	---------------------------

Dimensions





Additional product information (links)

f1=1454&f2=1174&f3=1755;Download Software easySoft V7	http://applications.eaton.eu/sdlc?LX=11&
Product overview (WEB)	http://www.eaton.eu/easyE4