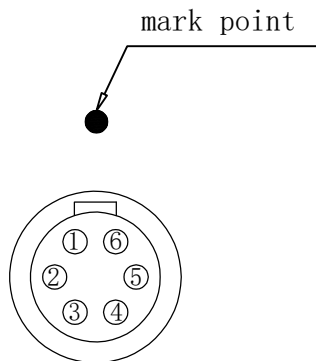
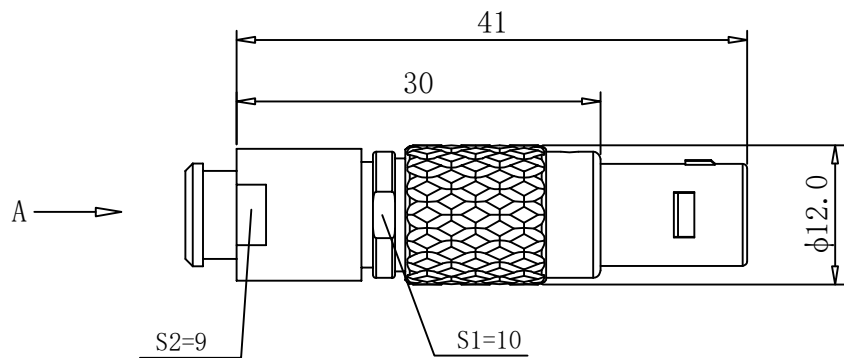


REV.	ECN. NO.	APPD.
A	WL-21-006	Jerry zhang



A view



Product main performance:

Operating Temperature: -55°C~250°C  
Humidity(max): <=95% [at 60 deg C / 140 F]  
Shielding : 75dB(10MHz) 40dB(1GHz):  
Salt Spray Corrosion: 96hr  
P op (max):60 bor (870 psi)

Electrical data:

Vtest: 1050V(contact-contact)  
working voltage: 350V AC,  
Insulation resistance: ≥5000M Ω  
Rated Current:7A  
R (max): 7.5m Ω

Mechanical data:

Vibration: 15g[10Hz~2000Hz]  
Shock Resistance: 100g[6ms]  
Endurance (Shell): 5000

Other Specification:

Contact Dia: 0.7mm  
Contact PIN: gold plated brass.  
Housing Material: chrome plated brass  
nut、screw: nickel plated brass  
Other metal spare parts : nickel plated brass  
Insulator material: PPS  
IP Rating: IP50  
•ALL MATERIALS ARE ROHS COMPLIANT

IDEAS GENERATED DRAWING. DON'T CHANGE BY HAND.

Cable OD (MM)	Cable diameter (MM)	
	Min	Maxi
30	2.6	3.0
35	3.1	3.5
40	3.4	4.0
50	4.6	5.0
60	5.1	6.0
70	6.1	7.0

x.±	x.±	UNITS mm	NAME(INTENDED USE) IB 6-pin solder type vertical male connector	CLASS: <input type="checkbox"/> CONFIDENTIAL <input type="checkbox"/> SECRET <input checked="" type="checkbox"/> GENERAL
.x± 0.8	.x'±	MAT'L	PART NO.(INTENDED USE) WLES13-7302	
.xx± 0.50	.xx'±	SEE NOTES	APPD: Yuan. wu 03/14'21	TITLE: CONN DRAWING
.xxx±	.xxx'±	FINISH	CHKD: Lei. wang 03/15'21	DWG NO.: WLES13-7302-0007
		Q'TY	DRAW: Min. sun 03/16'21	
				SCALE: N/A
				SHEET: 1/1
				REV: A