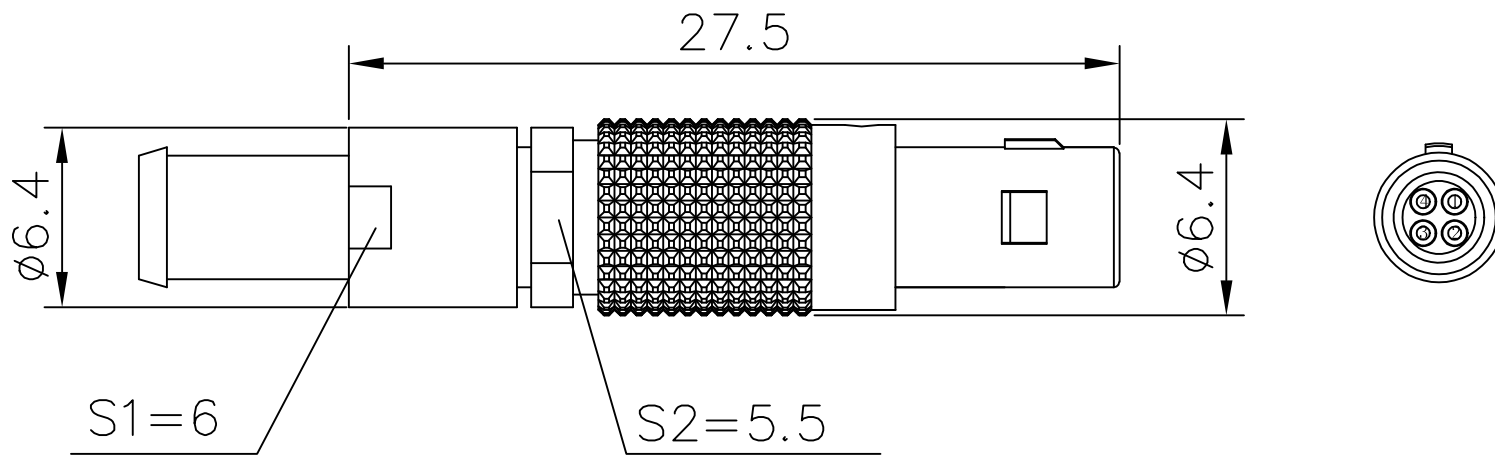


REV.	ECN. NO.	APPD.
A	WL-21-006	Jerry zhang



Main performance specifications

Operating temperature: $-55^{\circ}\text{C} \sim 250^{\circ}\text{C}$

Maximum humidity: $\leq 95\%$ (at $60^{\circ}\text{C} / 140^{\circ}\text{F}$)

Shielding performance: 75dB (10MHz), 40dB (1GHz)

Salt mist resistance: 96 hours

Waterproof rating: 50

Contact diameter: 0.5mm

PCB mounting diameter: 0.5mm

Vibration: 15g (10Hz \sim 2000Hz)

Shock: 100g (6ms)

Mechanical life: 5000 mating cycles

Connection method: Soldering

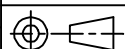
Contact resistance: 10m Ω

Test voltage: 800V (AC)

Operating voltage: 260V

Rated current: 2A

IDEAS GENERATED DRAWING. DON'T CHANGE BY HAND.

x.±	x.±	UNITS mm	NAME(INTENDED USE) 00B 4-pin plug T1	CLASS: <input type="checkbox"/> CONFIDENTIAL <input type="checkbox"/> SECRET <input checked="" type="checkbox"/> GENERAL						
.x± 0.8	.x±	MAT'L	PART NO.(INTENDED USE) WLES13-7302							
.xx± 0.50	.xx±	SEE NOTES	APPD: Yuan. wu 03/14'21	TITLE: CONN DRAWING						
.xxx±	.xxx±	FINISH	CHKD: Lei. wang 03/15'21	DWG NO.: WLES13-7302-0070						
		Q'TY	DRAW: Min. sun 03/16'21	 <table border="1"> <tr> <td>SCALE</td> <td>SHEET</td> <td>REV.</td> </tr> <tr> <td>N/A</td> <td>1/1</td> <td>A</td> </tr> </table>	SCALE	SHEET	REV.	N/A	1/1	A
SCALE	SHEET	REV.								
N/A	1/1	A								